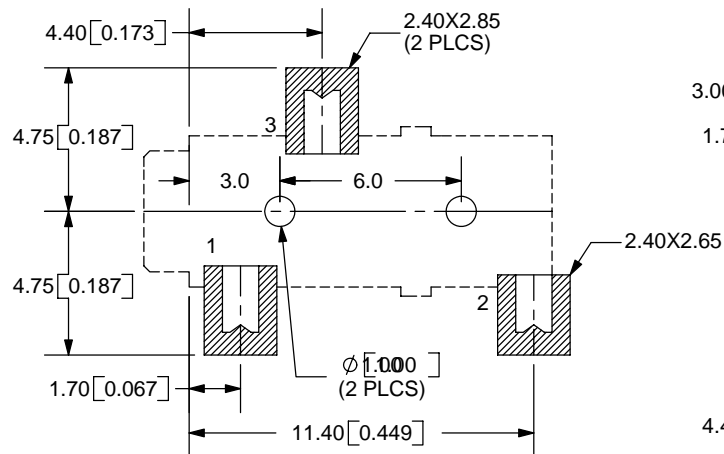
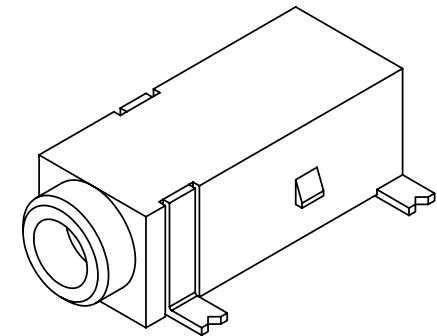
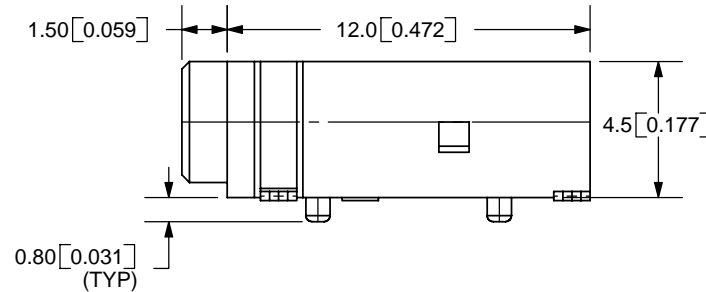
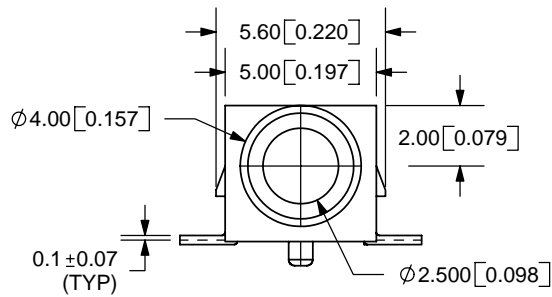
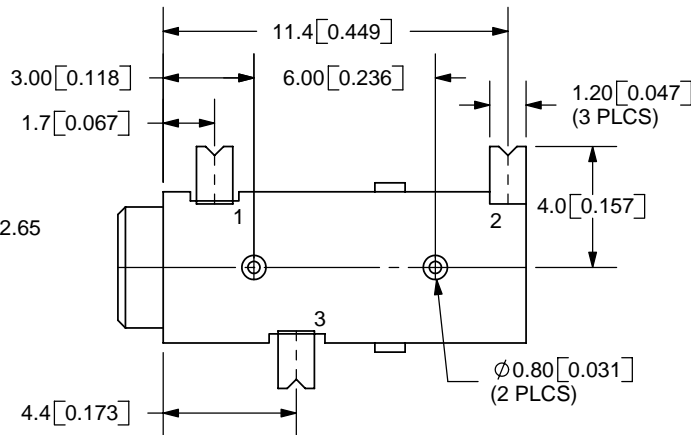


REV.	DESCRIPTION	DATE
A	NEW DRAWING	11/9/2005



PCB LAYOUT
TOP VIEW



TOLERANCE:
X.X ± 0.2mm
X.XX ± 0.1mm
X.XXX ± 0.05mm



MODEL NO.	SJ-2523-SMT
SCHMATIC	

SPECIFICATIONS:
CONTACT RESISTANCE: 30m OHMS MAX
INSULATION RESISTANCE: 50M OHMS MIN: 500V DC
VOLTAGE WITHSTAND: 500V AC R.M.S. FOR 1 MINUTE
LIFE: 5,000 CYCLES

	MATERIAL	PLATING	TITLE: 2.5mm SURFACE MOUNT AUDIO JACK-STEREO	REV: A
TERMINAL 1	Copper Alloy	Silver	PART NO. SJ-2523-SMT	UNITS: MM [INCHES]
TERMINAL 2	Copper Alloy	Silver		
TERMINAL 3	Copper Alloy	Silver		
HOUSING	PA6T		DRAWN BY: ZRJ	APPROVED BY:
			SCALE: 4:1	

PC FILE NAME:
SJ-2523-SMT

COPYRIGHT 2005 BY CUI INC.



9615 SW Allen Blvd., Ste. 103
Beaverton, OR 97005
Phone: 503-643-4899
800-275-4899
Fax: 503-372-1266
Website: www.cui.com